

7. Fit the in-house end of the duct to the fan outlet, and fix the end with duct clip.

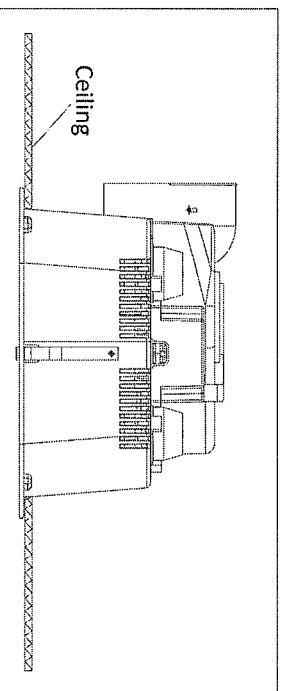
Note: Keep the route as straight as possible.

8. Position the housing into the hole

Choose an optimal direction to put the housing into the hole in accordance with the position of the fan outlet. Use the two spring clips to fix the housing.

Ensure that the unit is held securely by the clips.

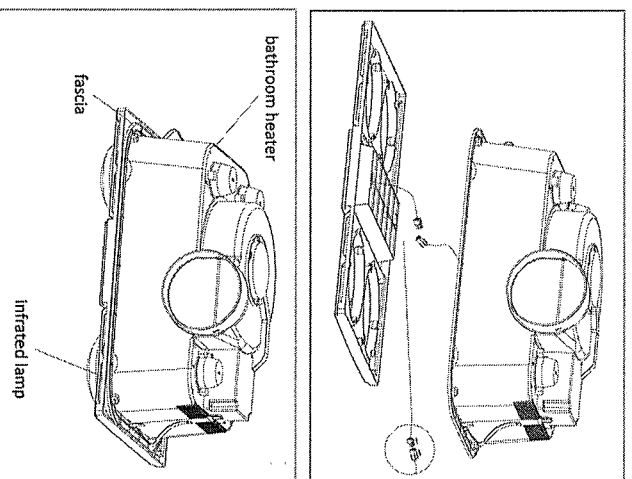
Note: Try to keep the redundant wire away from the housing.



9. Final installation

- 1) Reconnect the LED light plug.
- 2) Replace the fascia. Replace the fascia and retaining springs.
- 3) Replace the heat lamps. Ensure the lamps are tightened sufficiently to make good electrical contact. Clean the lamps and fascia.
- 4) Fix the switch panel to the wall

Note: The switch wiring should be mounted inside the wall to give the switch an integrated built in appearance. If it is necessary to run the wiring on the outside of the wall, use a suitable conduit and fixings to properly located and hold the wiring used.



For the exhaust fan to work efficiently, replacement air of a volume equivalent to what is being extracted must be able to enter the room. In general, this air would be drawn from under the door, or through a slightly opened window. If the room is air-tight, the fan will function poorly.

USE

Our bathroom heater uses the infrared heating lamps as a source of heat. It also combines the functions of exhaust and light.

1. Heat

"HEAT" button On / Off

Each individual infrared lamp has been sprayed with 4°C cold water to ensure that there are no flaws in the construction.

Note: Do not touch the infrared lamps with any part of your body when in use.

2. Exhaust

"FAN" button On / Off

This unit can exhaust odours and steam in a quick and efficient way by turning on the "FAN" button.

3. Lighting

"Light" button On / Off

Note: Do not switch on/off frequently when in use. Shut off the power if in long vacancy.

MAINTENANCE

1. Clean

- 1) Shut off the power before cleaning.
 - 2) Wipe lamps and fascia with care using a soft cloth soaked with a neutral detergent.
- Note:** Ensure the lamps are cool to touch before handling.

2. Lamp Replacement

- 1) Check and tighten lamps regularly.
- 2) Shut off power before replacement.
- 3) Use 15W maximum led lamps for lighting
- 4) Use 4x275W E27 infrared heat lamps.

Note: It may affect operation (even cause danger) when lamps, other than the designated ones, are used.

WARRANTY

The unit is warranted against defects in manufacturing and workmanship for a period of 2 years. The warranty does not extend to lamp globes supplied or installation of the unit or any associated wiring or any damage caused by installation or wiring.

The installation must be conducted by a licensed electrician and a suitable certificate of safety is to be issued by the electrician who installed the unit. Warranty claims will be

voided unless a certificate of safety can be produced when required, prior to service or repair.

This warranty does not cover damages or loss caused by:

- 1) Heat or light lamps.
- 2) Any consequential losses arising from incorrect installation or operation or maintenance of this product.
- 3) Any consequential losses arising from incorrect wiring of this product.
- 4) Any modifications or changes made to the unit, other than those recommended by the Manufacturer.

MAIN TECHNICAL PARAMETERS

Model Number	BH-RAD4
Rated Voltage	220V-240V
Rated Frequency	50Hz
Rated Power	1155W

LIST OF ACCESSORIES

Operation Unit	1 piece
Infrared Lamp (E27)	4 pieces
Light Lamp	1 piece
Installation Instruction	1 piece
Ventiduct Kit	1 piece
Duct Clip	2 pieces
Switch	1 piece